

LVDS RX I/O cell

Product description

The RX cell is a high-speed and low-power LVDS receiver IO cell powered at 2.5V/1.2V or 1.8V/1.2V, designed on the TSMC 65 GP technology.

Main characteristics

- TSMC 65 GP
- 2.5V/1.2V IO/Core transistors
- Fully compliant with TIA/EIA-644-A-2001

Deliverables

- GDS II layouts
- LEF abstracts
- CDL netlists
- Liberty timings
- Verilog description
- A full datasheet
- An integration note

Status

- Silicon proven

Applications

- Multi-purpose reconfigurable IO
- Point-to-point, point-to-multipoint or bus-based IC high-speed data communications
- Intra-package (e.g. MCM or SIP) inter-die high-speed data communications
- Backplane high-speed data communications
- High-speed serial communications (HDMI, SATA, PCIeX, etc.)
- Communication to LCD/OLED screens
- Video sensor digital data interface

Main features

- Standard-compliant to TIA/EIA-644-A-2001
- Built-in, low parasitic ESD protection
- Easily integrates with TSMC I/O library cells
- All-in-ring® topology, so no core silicon area is used by LVDS
- The same cells operate with 2.5V/1.2V or 1.8V/1.2V power supplies
- Standby/power down mode
- Internal bias voltage generation and bias current distribution circuitry
- Selectable on-chip termination resistor, with optional user tuning
- Digital loopback functions to ease ATE testing
- Up to 2 Gbps data rate



Further information

For further information about this product and other products of the nSIO_TS65LP_2V5_1V2 transmit / receive / combo LVDS IO library, development roadmap, availability and licensing terms, please e-mail to sales@nsilition.com.

Delivery and support

These LVDS IOs are available as hard macro-cells for reuse in any design based on the TSMC 65 GP with 2.5V IO transistors CMOS process. No extra IP license from any third party will be needed for the cells or the cell library.

In addition, full support service is available on request. Support can include close integration follow-up by our design team or custom-made cells or features. nSilition may provide support to the Customer for qualifying the maximum clocking frequency corresponding to the selected chip package and the PCB LVDS track length and impedance. IBIS models for digital outputs can be provided upon request.

Porting to another process

The nSIO_TS65LP_2V5_1V2 transmit/receive LVDS IO library is silicon proven in the TSMC 65 GP 2.5V/1.2V CMOS process. It can be easily ported to another foundry and/or another similar CMOS process node upon request. Please contact us for details and availability.

About nSilition

nSilition is a leading analog and mixed-signal semiconductor IP provider. nSilition specializes in the development of high quality analog and mixed-signal high performance semiconductor IPs. With reference designs available for 10b to 14b A/D and D/A converters, high-speed IO circuits, PFM and PWM high efficiency DC/DC integrated converters and high precision bandgap references; nSilition enables the highest value analog and mixed-signal functionalities at the lowest risk.

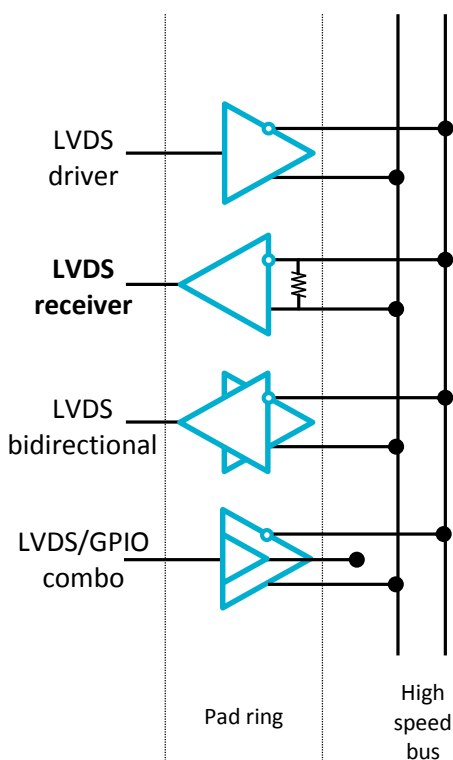
The "IP design" service of nSilition offers top-class quality, customization and support dedicated to your needs and your specifications.

Disclaimer

The information provided by nSilition has been verified and is believed to be accurate. nSilition and all its right holders reserve the right to make changes to the information contained herein without notice. They reserve also the right to make changes to the product without notification. No liability shall be incurred as a result of the use or application of the information provided in this data sheet and/or the use of the corresponding product in any case.

Copyright © 2014 nSilition sprl
31, bd Dolez, 7000 Mons (Belgium)
VAT: BE 885821519

Support can include close integration follow-up by our design team or custom-made cells or features



Available LVDS cells in
nSIO_TS65LP_2V5_1V2
IP library



nSilition
Smaller, Smarter, Stronger